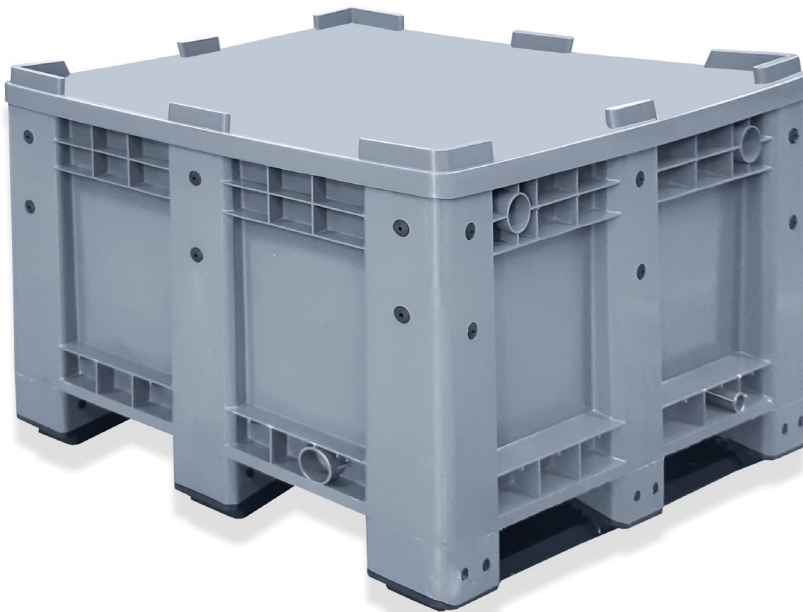


PALLET CONTAINER

PC-01



A smooth and hygienic pallet size container makes this ideal for the food & Beverage industry. It is easy to clean and has drain hole in the base of the container. It can be offered solid sided or vented depending on the application and available with 2 or 3 skids. This big Box can be supplied with a lightweight lid if needed.

TECHNICAL DATA

CODE	PC-01
Extrenal Dimensions LxWxH (mm)	1200 x 1000 x 760
Inner Dimensions LxWxH (mm)	1110 x 910 x 600
Volume (L)	606
Standard Color	●
Dynamic Loading (kg)	1000
Static Loading (kg)	4000
Entry	4 ways

AVAILABLE WITH

Solid sided	✓
Client LOGO Printed	✓
Drop-on lids (on request)	✓

KEY FEATURES

Smooth sided walls for easy cleaning
Withstands 4000 kg and stacks 4 on to 1
Ideal for cold store conditions
Tough and Heavy weight load 1 TON
Wheels for easy motion
Compatible with Ref. FPC Lids

- The values indicated are approximate and are based on practical experience and ISO 8611-1, evenly distributed load over pallet surface, at ambient temperature (23° C) for a specific time. Different load conditions produce different values that have to be checked at the customer's request. Any deterioration or breakage in the pallet may vary these results.
- Due to the characteristics of plastic materials and manufacturing process, the dimensions and the weight of the pallets may present certain tolerances.
- The specification can be affected in case of alteration of the product with parts and / or materials different from those approved by the RePall quality department.
- RePall reserves the right to modify any information herein indicated without prior notice.
- Any warranty, specification or liability on the part of RePall will be terminated in case of modification of the product with spare parts not supplied by RePall.

